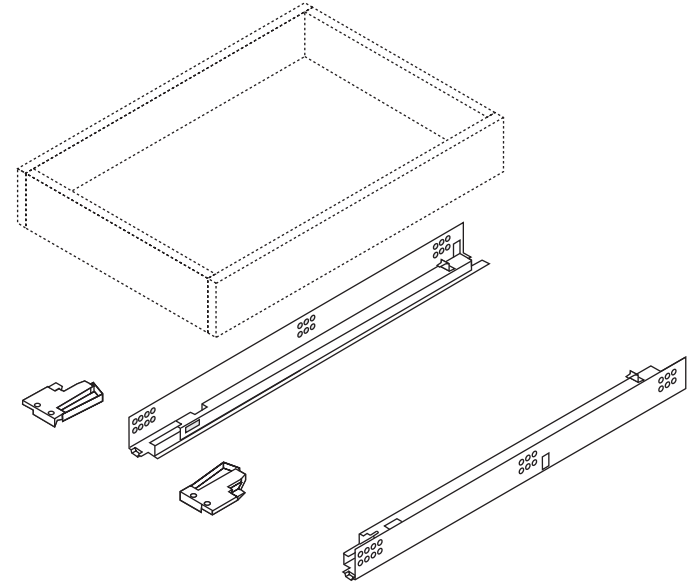


Drawer adjustments

TANDEM plus series

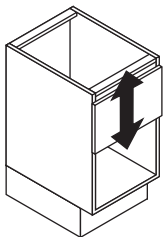
(See inside for adjustments
and installation instructions.)



Blum, Inc.
7733 Old Plank Rd.
Stanley, NC 28164
toll free 800-438-6788
local 704-927-1345
fax 704-827-0799
internet www.blum.us

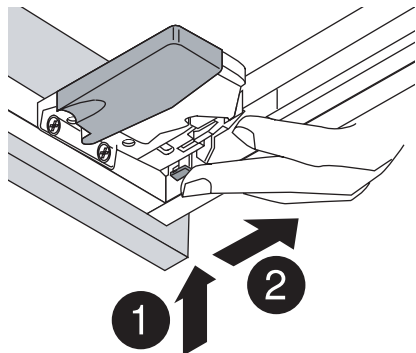
TANDEM plus drawer adjustments

Height adjustment

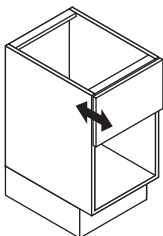


1. Press down on adj. latch.
2. Push latch towards back of drawer after pressing down.

Provides upward adj. only.

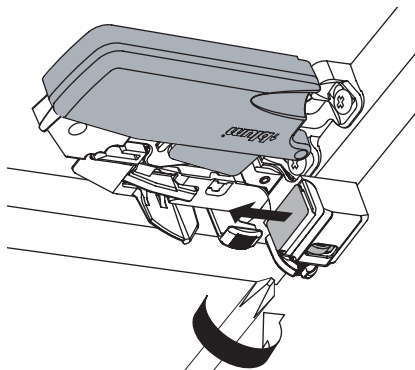


Depth adjustment*



Turning the adj. screw gives up to 3/16" (4mm) out adj.
Provides outward adj. only.

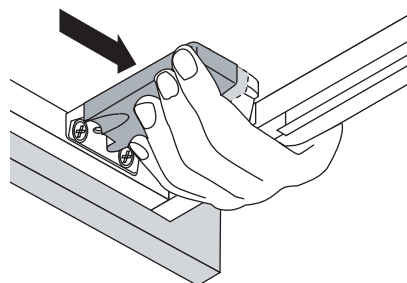
* **Note:** Depth adjustment is only possible with special locking devices as shown in the illustration below. This is not a standard feature.



Drawer removal / installation

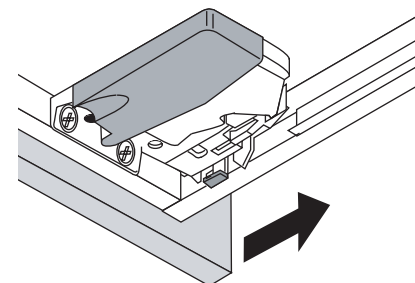
Drawer removal:

1. Reach under the drawer and squeeze the orange handles of both locking devices.
2. While holding the handles, pull the drawer straight out and lift it off the runners.

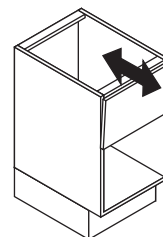


Drawer installation:

1. Place drawer on the runners (either extended or retracted) and close.
2. The locking devices will automatically engage with the runners. Open drawer completely to confirm that both locking devices have engaged.



Tilt adjustment



Rotate tab on rear hook for tilt adjustment.

