

## Product



## Description

- Vertical mount to minimize sub-front splitting
- Designed for 1/2" drawer bottom recess
- For use in all standard applications
- For drawer sub-front thicknesses of 16 (5/8") to 19 (3/4")
- For use with all TANDEM runners

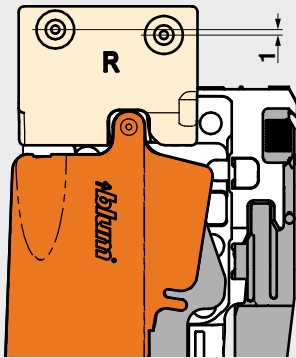
Left **T51.1700.20 L**  
 Right **T51.1700.20 R**

## Application



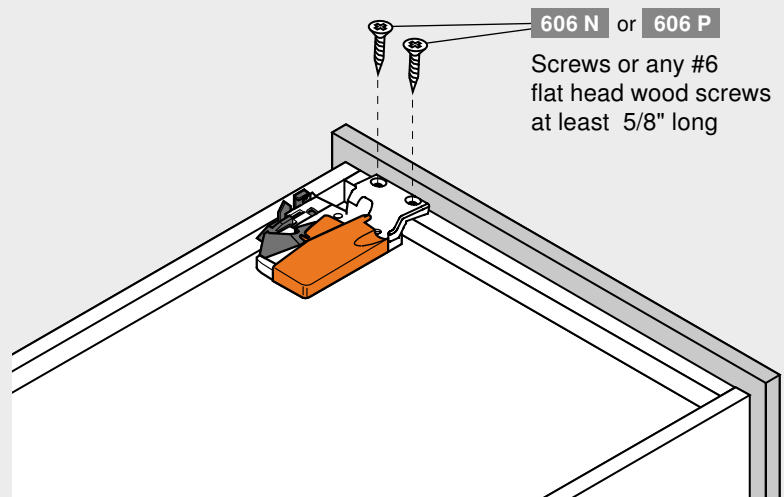
## Installation

### Offset screw holes



The mounting screw holes are offset 1 mm from each other to minimize the splitting of drawer sub-front.

### Attachment

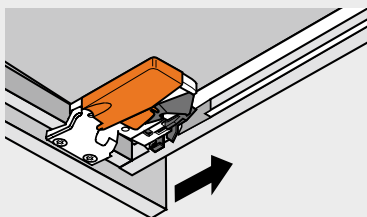


**606 N or 606 P**  
 Screws or any #6 flat head wood screws at least 5/8" long

**NOTE:** Pre-boring is recommended using Blum's VPB-5 Vix bit

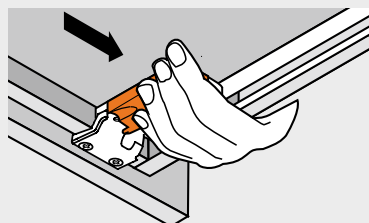
## Drawer installation and removal

### Installation



Place drawer on runners and close. Locking devices automatically connect to runners.

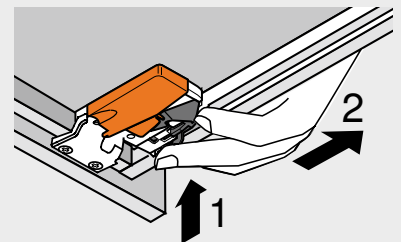
### Removal



- Squeeze orange handles on locking devices.
- Pull drawer out and up.

## Adjustment

### Height



- Press up on adjustment tab.
- Push towards back of drawer. Max. 3mm (1/8") raise the drawer.