

# TANDEM plus cover

Supplement to

TANDEM

LIT.4026.05.08

## Application



## Description

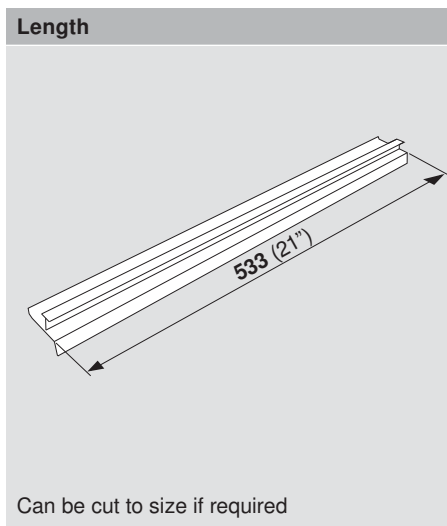
- Nylon cover to help protect the profile against dust, debris and finishing material
- Simple attachment and removal by hand
- Available in 533 (21") only and can be cut to size
- Designed for 562/568 H/F

## Components

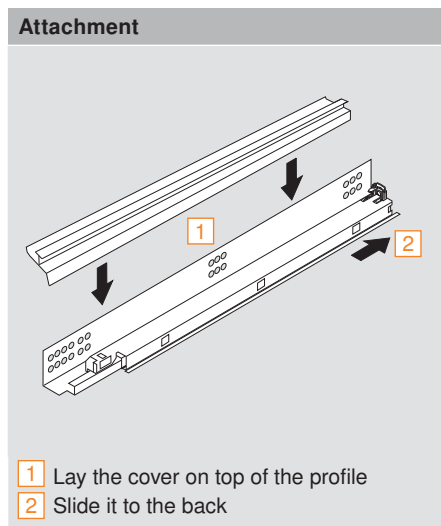


## Specifications

### Length



### Attachment



### Removal

